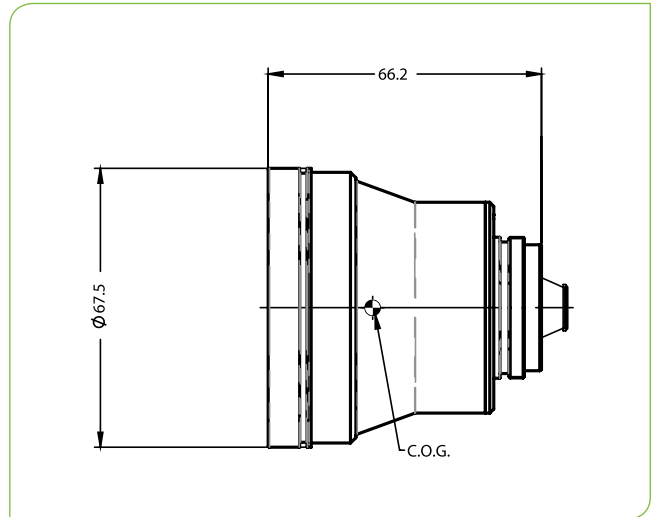


# SupIR 55mm f/1.0, Fixed Athermalized 680372

TYPICAL ICD\*



**HD**  
FORMAT



LWIR | 1-FOV

HFOV	320x240	384x288	640x480	1024x768
17μ	5.7°	6.8°	11.3°	
12μ	4.0°	4.8°	8.0°	12.7°
10μ	3.3°	4.0°	6.4°	10.6°

Property	Value				
<b>Optical</b>					
Focal Length	55mm				
F#	1.0				
Average transmission (8-12μm)	91% (HD)				
Back Focal Length	12.03mm in air				
<b>Mechanical</b>					
Focus Mechanism	Fixed				
Depth of Field	150m to infinity				
Focus Range	1.5m to infinity				
Weight	181gr				
Max. Dimensions	Ø67.5mm x 66.2mm				
<b>Environmental</b>					
Operation Temperature	-40°C to +80°C				
Storage Temperature	-54°C to +85°C				
Sealing	IP 67 front element only				
<b>Configurations</b>	<b>Weight (gr)</b>	<b>Dimensions</b>	<b>BWD**</b>	<b>Thread</b>	<b>Coating</b>
680372-001	181	Ø67.5mm x 66.2mm	6	M34x0.5	HD
680372-002					HC

\* The ICD drawing provided here is primarily a representation and may not accurately reflect the product's actual dimensions and specifications. For precise integration specifications contact your local sales representative.

\*\* The BWD value is calculated for a unique detector setup with varying sealing windows in terms of thickness and material. For more details, contact your local sales representative.